

Signature

Multix Barrel

BLAM

FRENCH SOUND

Driven by passion.

MB 8D

HIGH FIDELITY WOOFER

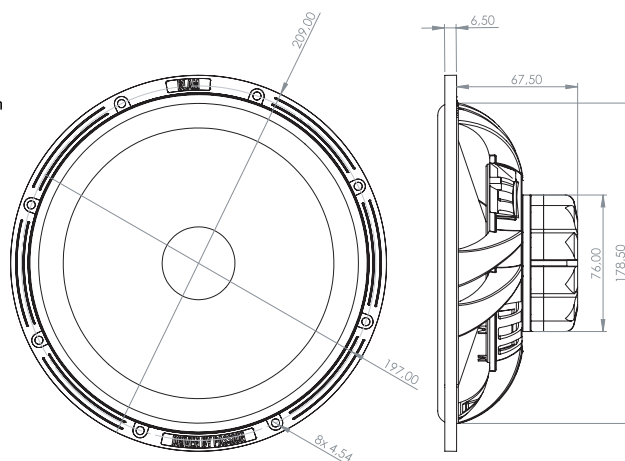
- 200 mm (8") high sensitivity woofer
- Max. power 300 W / Nom. Power 150 W
- Frequency response 55 Hz - 4 kHz
- Impedance 2 Ω



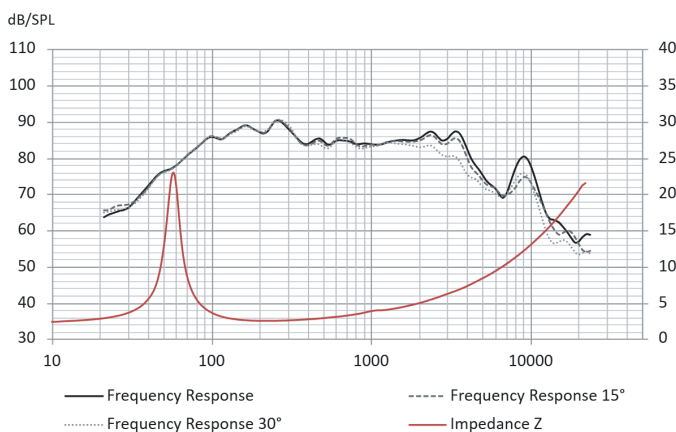
TECHNICAL SPECIFICATIONS

Component	Woofer	
Max power	300 W	
Nominal power	150 W	
Impedance	2 Ω	
Freq. Response	55 Hz - 4 KHz	
Sensitivity (2,83V/1m)	30.3 dB	
Magnet	Neodymium	
Magnet size Ø x h	76 x 31 mm	2.992 x 1.220"
Total driver displacement	0.11 l	0.004 cf
Weight of one component	1.07 kg	2.359 lb
Voice coil Ø	40 mm	1.593"
Voice coil height	17 mm	0.669"
Dome	Carbon fiber	

Unit : mm



FREQUENCY RESPONSE / IMPEDANCE



THIELE-SMALL PARAMETERS

Effective Ø (d)	165 mm
Sd	213.82 cm ²
Xmax	6.0 mm
Re	2.1 Ω
Fs	54.93 Hz
Le	300 μH @ 1 kHz
L2	190 μH @ 10 kHz
Vas	21.889 L
Mms	24.43 g
Cms	0.3429 m/N
BL	5.39 Tm
Qts	0.55
Qes	0.61
Qms	6.17
Sensitivity (dB/W/m)	24.5 dB

contact@blam-audio.fr
www.facebook.com/blamaudio

blam-audio.com