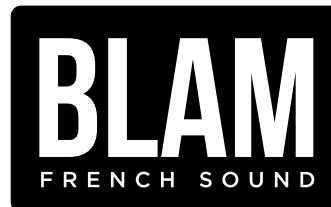


Signature

Multix Barrel



Driven by passion.

MB 3

EXTENDED FREQUENCY SPEAKER

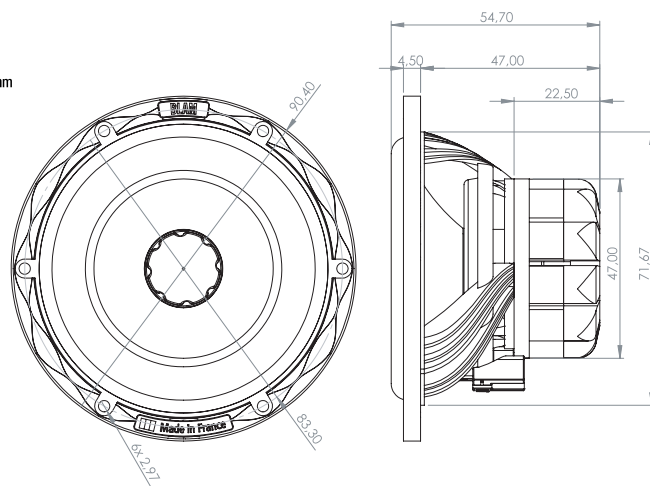
- Full-range driver 3" (80mm)
- Max. power : 150 W / Nom. power : 50 W
- Frequency response 120 Hz - 25 kHz
- Impedance 3 Ohms



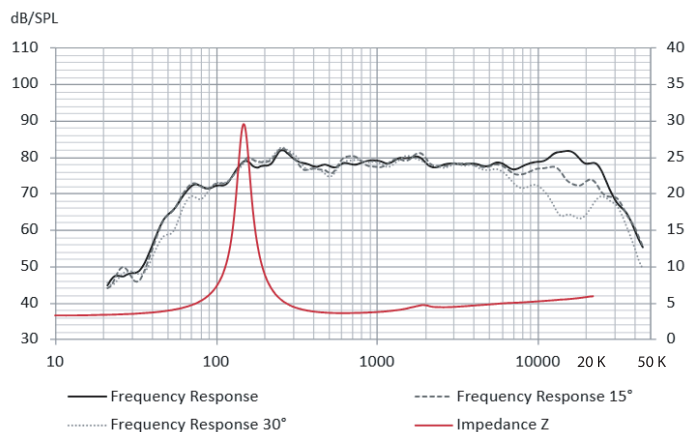
TECHNICAL SPECIFICATIONS

Component	Midrange	
Max power	150 W	
Nominal power	50 W	
Impedance	3 Ω	
Freq. Response	120 Hz - 25 KHz	
Sensitivity (2,83V/1m)	91.2 dB	
Magnet	Neodymium	
Magnet size Ø x h	47 x 23 mm	1.850 x 0.906 "
Total driver displacement	0.11 l	0.004 cf
Weight of one component	0.3 kg	0.661 lb
Voice coil Ø	21 mm	0.827 "
Voice coil height	6.0 mm	0.236 "
Dome	Carbon fiber	

Unit : mm



FREQUENCY RESPONSE / IMPEDANCE



THIELE-SMALL PARAMETERS

Effective Ø (d)	61 mm
Sd	29.2 cm ²
Xmax	1.0
Re	3.2 Ω
Fs	149.41 Hz
Le	30 µH @ 1 kHz
L2	20 µH @ 10 kHz
Vas	0.6662 L
Mms	2.0417 g
Cms	0.5557 m/N
BL	3.03 Tm
Qts	0.6
Qes	0.67
Qms	5.63
Sensitivity (dB/W/m)	87.21 dB

contact@blam-audio.fr
www.facebook.com/blamaudio

blam-audio.com