

# Signature

# Multix Barrel

# BLAM

FRENCH SOUND

Driven by passion.

## T28 MG

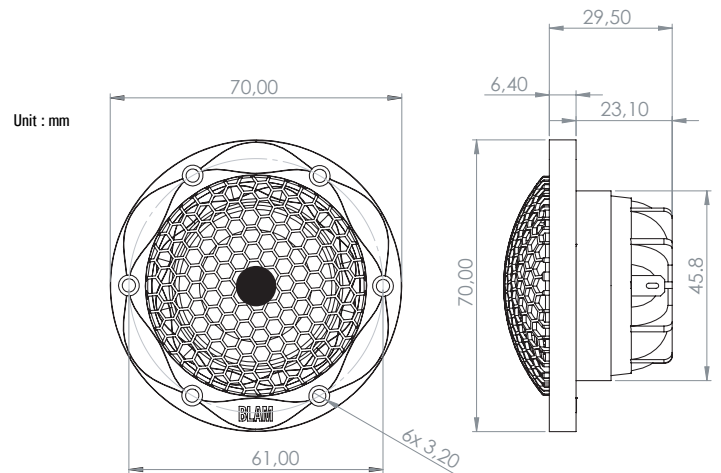
28 MM (1") HIGH RESOLUTION TWEETER

The T28MG's pure magnesium diaphragm is stiff and lightweight, allowing the tweeter to operate at high SPLs without distortion. This results in greater sonic clarity even at high volumes.

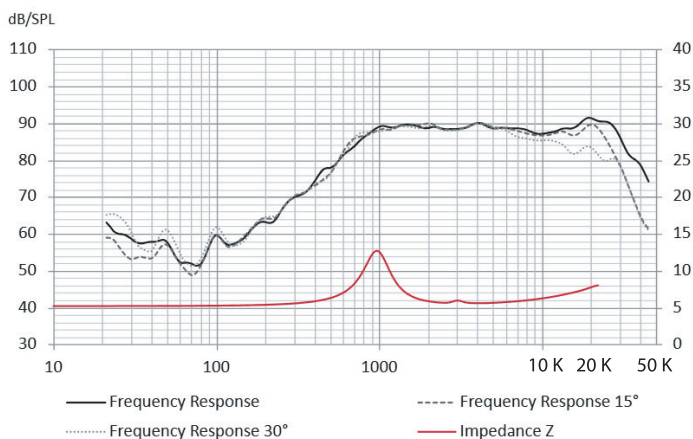
- 28 mm (1") Pur magnesium dome tweeter
- High efficiency neodymium magnet
- High precision machined aluminium front plate easy to install
- Sound transparent protective grill

### TECHNICAL SPECIFICATIONS

|   |                  |                 |
|---|------------------|-----------------|
| <b>Component</b>                            | Tweeter          |                 |
| <b>Max power</b>                            | 80 W             |                 |
| <b>Nominal power</b>                        | 40 W             |                 |
| <b>Impedance</b>                            | 6 $\Omega$       |                 |
| <b>Freq. Response</b>                       | 1.5 kHz - 30 KHz |                 |
| <b>Sensitivity (2,83V/1m)</b>               | 91.1 dB          |                 |
| <b>Magnet</b>                               | Neodymium        |                 |
| <b>Magnet size <math>\varnothing</math></b> | 27 x 3 mm        | 1.063" x 0,118" |
| <b>Weight of one component</b>              | 0.076 kg         | 0.168 lb        |
| <b>Voice coil <math>\varnothing</math></b>  | 28 mm            | 1.102"          |
| <b>Voice coil height</b>                    | 2 mm             | 0.079 "         |
| <b>Dome</b>                                 | Magnésium        |                 |



### FREQUENCY RESPONSE / IMPEDANCE



### THIELE-SMALL PARAMETERS

|   |                   |
|---|-------------------|
| <b>Effective <math>\varnothing</math> (d)</b> | 30 mm             |
| <b>Sd</b>                                     | 9 cm <sup>2</sup> |
| <b>Re</b>                                     | 5.1 $\Omega$      |
| <b>Fs</b>                                     | 969.73 Hz         |
| <b>Le</b>                                     | -                 |
| <b>L2</b>                                     | -                 |
| <b>Vas</b>                                    | -                 |
| <b>Mms</b>                                    | -                 |
| <b>Cms</b>                                    | -                 |
| <b>BL</b>                                     | -                 |
| <b>Qts</b>                                    | -                 |
| <b>Qes</b>                                    | -                 |
| <b>Qms</b>                                    | -                 |
| <b>Sensitivity (dB/W/m)</b>                   | 89.1 dB           |

contact@blam-audio.fr  
www.facebook.com/blamaudio

blam-audio.com