

## S6.80C

### HIGH SENSITIVITY COAXIAL SPEAKER

- Woofer 6-1/2 " (165 mm) - Tweeter 25 mm
- Max power 120 W / Nom. power 60 W
- Frequency response 60 Hz - 30 KHz
- Impedance 2 Ohms

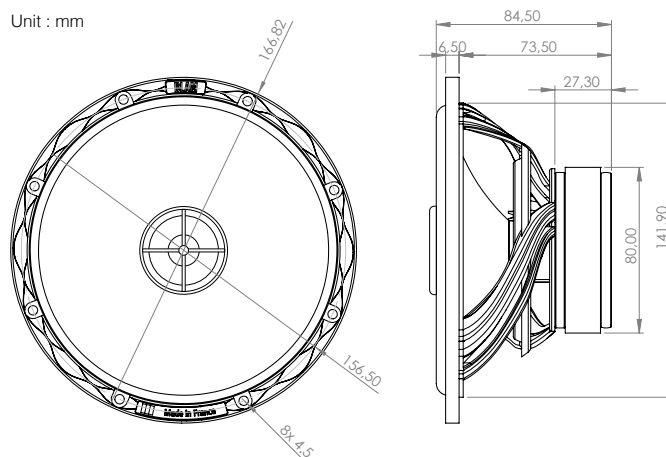
Die cast aluminum basket - Ultra rigid carbon fiber cone - IIR surround - Long life « conex » spider - 28 mm Voice Coil, fiber glass former - 80 mm x 17 mm Magnetic motor - Machined pole pieces - Gold-plated terminal.



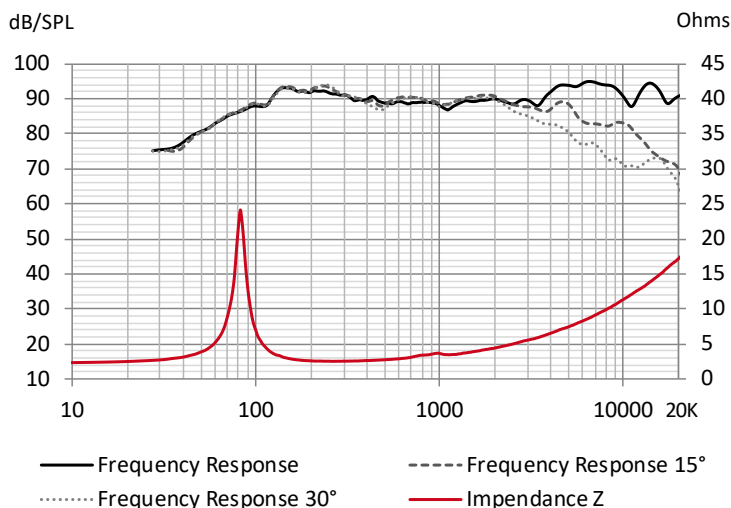
### TECHNICAL SPECIFICATIONS

Component	Speaker	
Max power	120 W	
Nominal power	60 W	
Impedance	2 Ω	
Freq. Response	60 Hz - 30 KHz	
Sensitivity (2,83V/1m)	94,3 dB	
Magnet	Ferrite	
Magnet size Ø x h	80 x 17 mm	3,150" x 0,669"
Total driver displacement	0,3 l	0,011 cf
Weight of one component	1 kg	2,205 lb
Voice coil Ø	28 mm	1,102"
Voice coil height	12 mm	0,472"

Unit : mm



### FREQUENCY RESPONSE / IMPEDANCE



### THIELE-SMALL PARAMETERS

effective Ø (d)	128 mm
Sd	128,68 cm <sup>2</sup>
Xmax	4 mm
Re	2,1 Ω
Fs	80,41 Hz
Le	80,24 μH @ 1 kHz
L2	209,66 μH @ 10 kHz
Vas	8,84 L
Mms	10,31 g
Cms	0,000380 m/N
BL	3,69 Tm
Qts	0,81
Qes	0,90
Qms	7,45
Sensitivity (dB/W/m)	88,5 dB