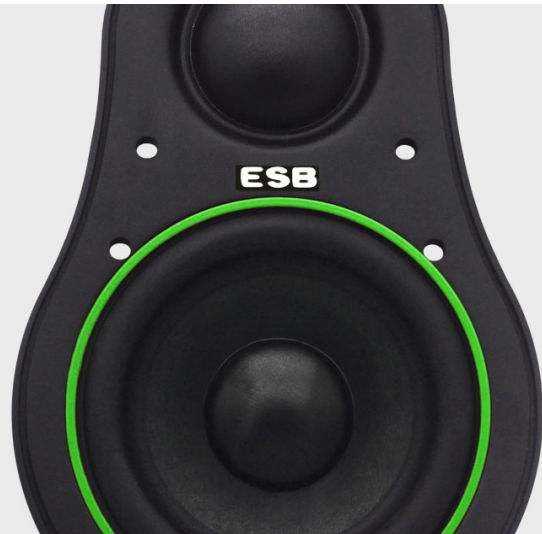
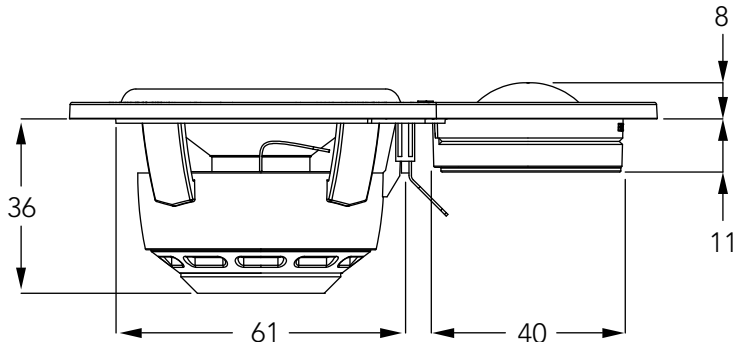
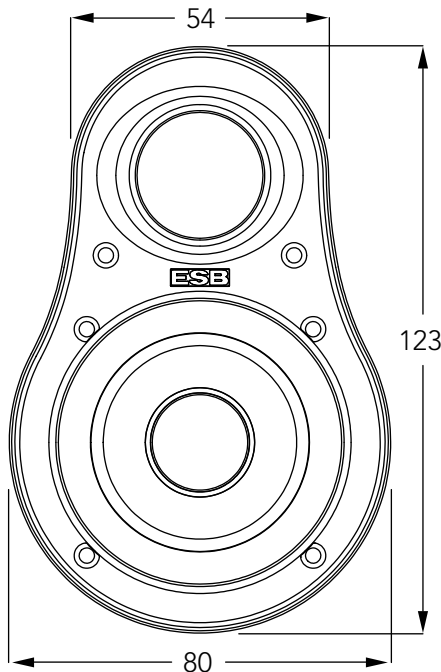
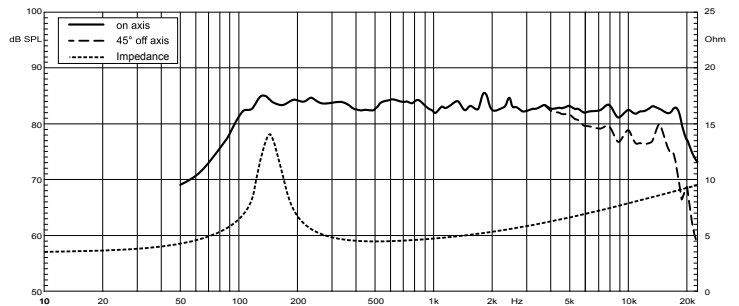
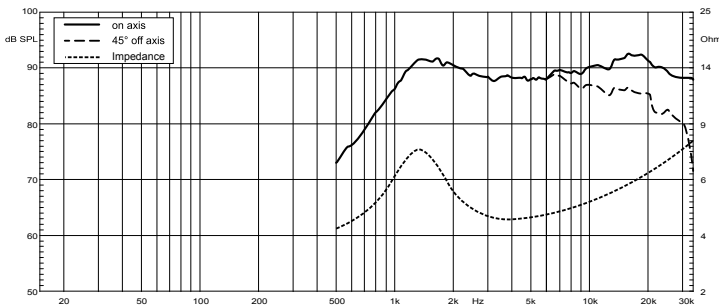


- 25 mm voice coil for the tweeter
- 20 mm voice coil for the midrange
- N42 Neodymium magnet
- High temperature aluminum/copper vc
- Axial forced coil ventilation
- Silk dome tweeter
- Fiber reinforced paper cone midrange
- Fatigue and tear poly cotton spider
- Computer designed ABS frame
- Motor metal parts CNC machined
- Super soft roll rubber suspension
- Fatigue resistant lead wire, balanced conn.



This special and exclusive component driver is a concept born way back in 70's, its aim is to concentrate medium and tweeter emissions in a single virtual point. This minimizes phase delays and irregularities at the crossover point. Neodymium magnet is an high grade type for eliminate magnetic losses at elevate temperature and concentrate more force in less space. The tweeter has a silk-impregnated thin fabric dome diaphragm for a smooth sound, with an outer suspension covered with a high-loss damping material to eliminate edge vibration and resonance. Pressed paper cone with waterproof treatment (midrange), for the best marriage of lightness, stiffness and the ability of the cone to dampen any unwanted vibration. The voice coil uses an aluminum support and a winding with a double layer technology of copper wire with an aluminum core.



All measurements in millimeters