

Signature

BLAM

FRENCH SOUND

Driven by passion.

FRS 2N50

High fidelity full-range driver

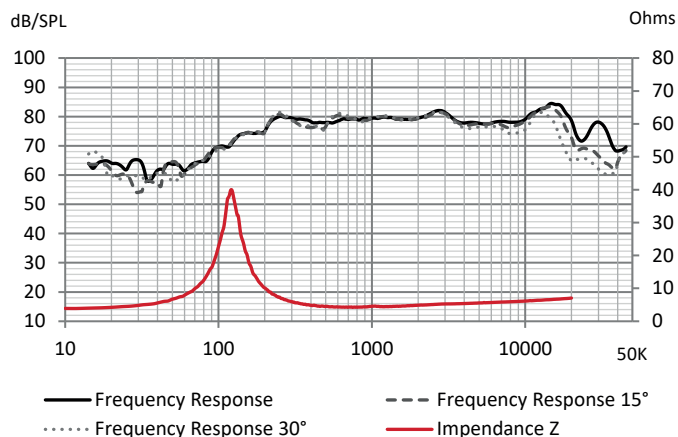
- 50 mm (2") High fidelity full-range
- Max. power: 50 W / Nom. power: 25 W
- Frequency response 250 Hz - 22 KHz
- Impedance 4 Ω



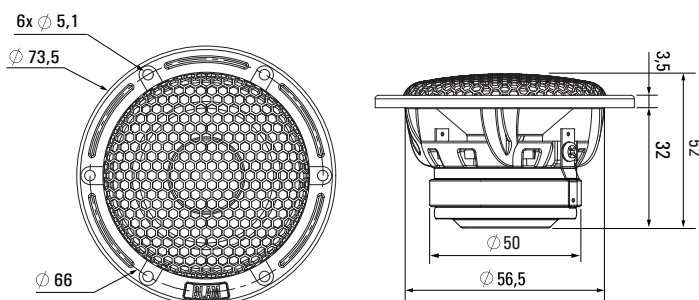
TECHNICAL SPECIFICATIONS

Component	Full range	
Max power	50 W	
Nominal power	25 W	
Impedance	4 Ω	
Freq. Response	250 Hz - 22 KHz	
Sensitivity (2,83V/1m)	87 dB	
Magnet	Neodymium	
Magnet size Ø x h	50 x 9 mm	1.969" x 0.354 "
Total driver displacement	0.3 l	0.011 cf
Weight of one component	0.338 kg	0.745 lb
Voice coil Ø	20 mm	0.803"
Voice coil height	7.7 mm	0.303"
Cone	Black kevlar fiber	

FREQUENCY RESPONSE / IMPEDANCE



Unit in mm



THIELE-SMALL PARAMETERS

effective Ø (d)	46 mm
Sd	16.62 cm ²
Xmax	2 mm
Re	3.8 Ω
Fs	120 Hz
Le	26.76 μH @ 1 kHz
L2	124.47 μH @ 10 kHz
Vas	0.37 L
Mms	1.79 g
Cms	0.961802 m/N
BL	3.62 Tm
Qts	0.37
Qes	0.40
Qms	3.73
Sensitivity (dB/W/m)	84 dB

contact@blam-audio.fr
www.facebook.com/blamaudio
www.blam-audio.com