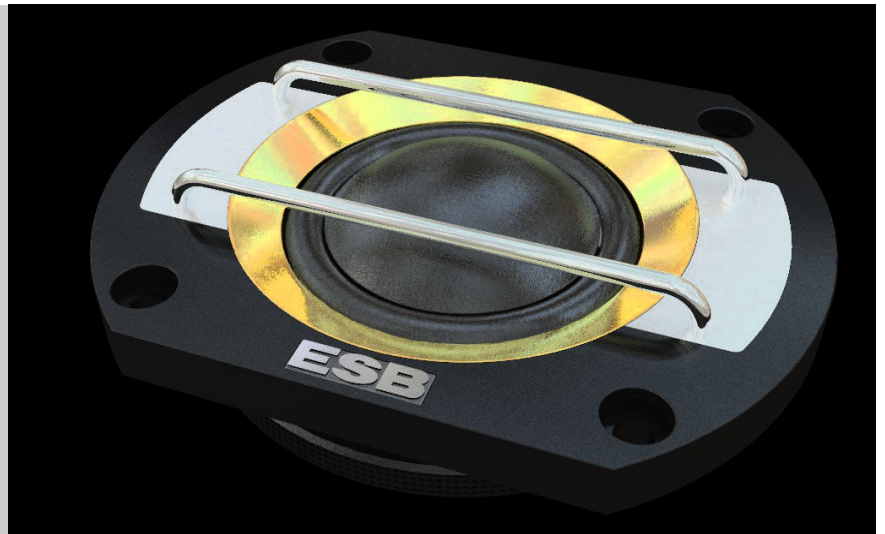


28 mm aluminum voice coil
 32.8 mm nominal diameter
 High grade neodymium magnet
 Torcon® soft dome
 CNC avional faceplate
 Ferrofluid cooling and damping
 Acoustic resistance Qts control
 Computer optimized design
 Motor metal parts CNC machined
 Under dome dB Cloth® damping material
 Multi-orientation "cup"



All the parts that make up this tweeter have been made with the CNC process, this is very expensive and long, but ensures perfect geometry and impeccable aesthetics. A mix of precious materials such as brass, stainless steel and Avional aluminum are used together for a unique product.

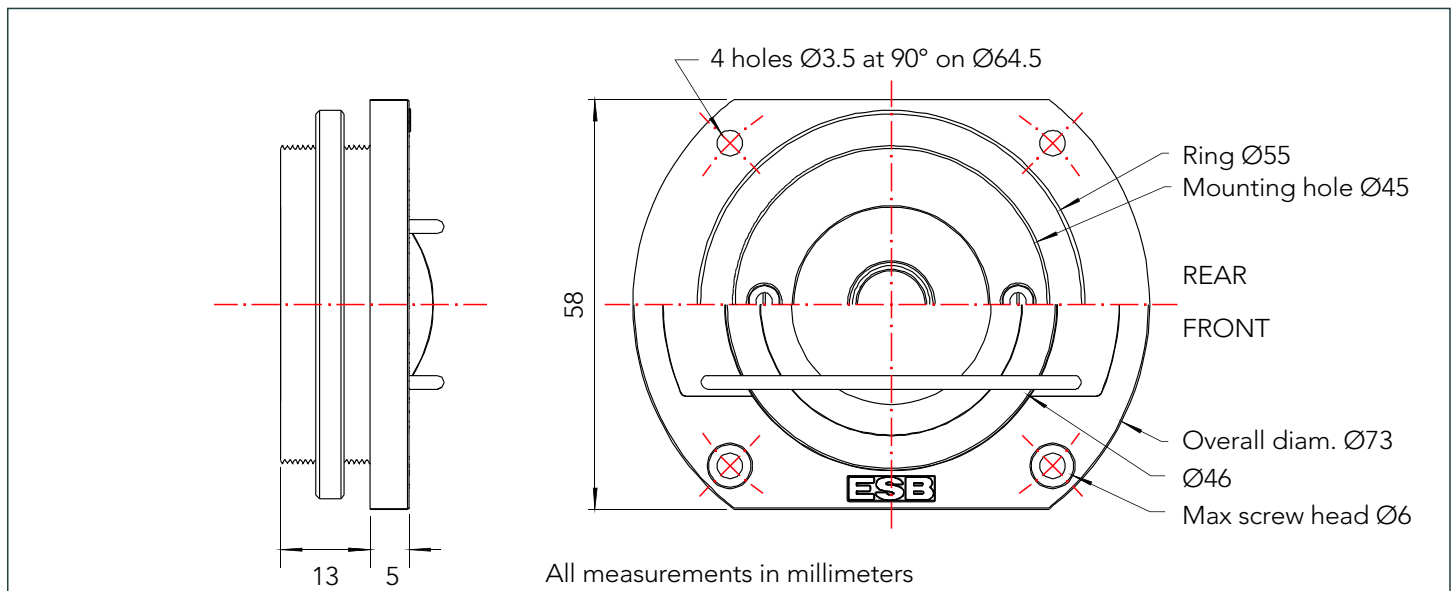
The tweeter uses a very large vented neodymium motor magnet optimized with computer simulations (FEA) to obtain a great efficiency and improve linearity along all the voice coil's excursion. Neodymium magnet is a high-grade type to kill magnetic loss at elevated temperature and concentrate more force in less volume.

Torcon® soft dome, of an exclusive Polyphenylene Sulfide (PPS) with a high-performance fiber that offers superb heat resistance, low weight, excellent self-damping, and a free resonance frequency response above the audible range.

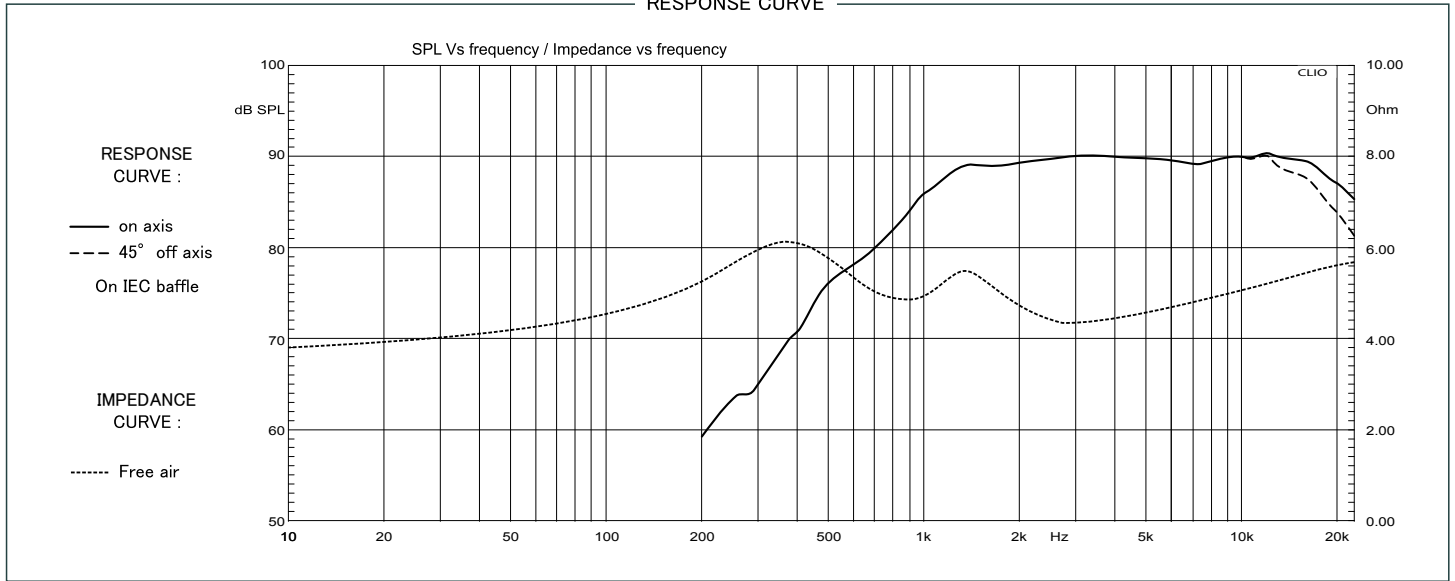
The semi-catenary profile on our diaphragm provides maximum stiffness at the tip of the dome. The result is clean, sooth and transparent sound reproduction with high efficiency from 940Hz to 25KHz at high power handling capacity.

The center ventilation hole provides an optimal cooling of moving coil to be able to handle high power without dynamic compression and reduces the compression of the air at the back of the dome with a great reduction of distortion and extended response to lower frequency. A special acoustic resistance helps to control the tweeter Qts. Residual resonance is killed by the dB Cloth® under-dome damping material, which extends the frequency response to the lower limits and reduces harmonic distortion.

To fix the tweeter you can use three systems, the first involves using the 4 golden front screws, the second uses the classic solution: a practical aluminum threaded ring, the third includes a cup for external mounting.

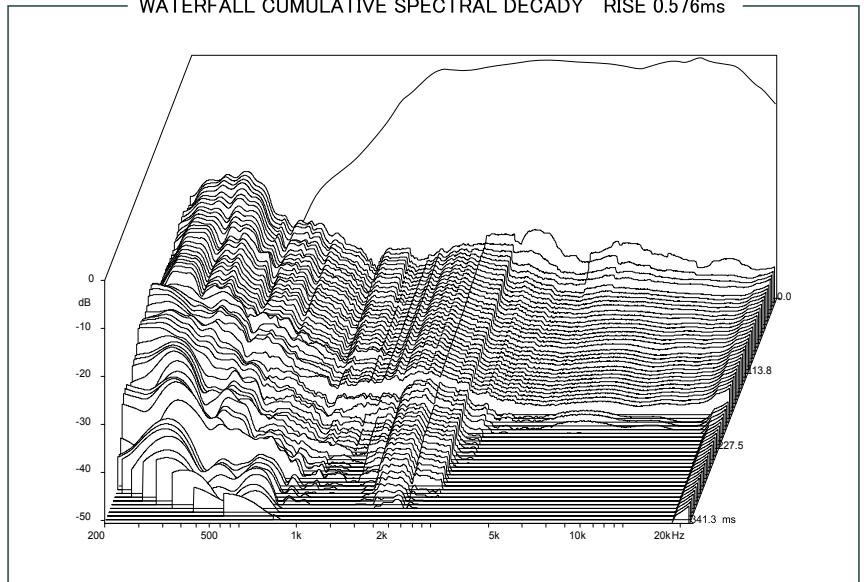


RESPONSE CURVE



SPECIFICATIONS			
Technical Characteristics	Symbol	Value	Units
GENERAL DATA			
Overall Dimension	D x h	73 x 18	mm
Nominal Power Handling (AES)*	P	110	W
Transient Power *	Pp	220	W
Sensitivity 1W/1m	SPL	91	dB SPL
Frequency Response		940 – 25.000	Hz
Net Weight		177	g
Dome Material		Torcon®	
*Nominal and Transient power @ High Pass 2.6KHz-12db/Oct			
ELECTRICAL DATA			
Nominal Impedance	Z	4	Ω
DC Resistance	Re	3.4	Ω
Voice coil Inductance	Lbm	0.0517	μH
VOICE COIL AND MAGNET PARAMETERS			
Voice Coil Diameter	Dia	28	mm
Voice coil Height	h	2.5	mm
Number of layers	n	2	
Voice Coil Former		Aluminum	
Magnet System		Neodymium Vented	
Magnetic Gap Height	HE	3	mm
Max Linear excursion	Xmax	±0.5	mm
Flux density	B	1.3	T
BL Product	BxL	4.35	Na
Magnet dimension	∅ x h	27 x 6	mm
Magnet weight	m	25.7	g
T&S PARAMETERS			
Mechanical Q Factor	Qms	0.744	
Electrical Q Factor	Qes	0.928	
Total Q Factor	Qts	0.413	
Suspension Compliance	Cms	0.38	N/m
Mechanical Resistance	Rms	1.54	Ω
Moving Mass	mms	0.72	g
Eq. Comp. Air Load	VAS	0.012	l
Resonance Frequency	Fs	540	Hz
Effective Piston Area	SD	8.49	cm ²
CROSSOVER VALUE			
Fc	Crossover frequency	Hz	
L	Inductor	mH	
C	Capacitor	μF	
R	Resistance	Ω	
P	Reduction from Nominal Power	%	
S	Crossover Slope	dB/Oct	

WATERFALL CUMULATIVE SPECTRAL DECADY RISE 0.576ms



SUGGESTED APPLICATION

Fc	2000	2200	2400	2600	2800	3000	3300	3600
S	6	6	6	6	6	6	6	6
C	17.4	16.7	15.7	14.6	13.7	12.8	11.5	10.5
P	-45	-35	-30	-20	-15	-10	-5	0

Att.	-2	-4	-6	-9	-12
R	1	3.3	4.7	9	12

Fc	1800	2000	2200	2400	2600	2800	3000	3300
S	12	12	12	12	12	12	12	12
L	0.58	0.51	0.44	0.39	0.36	0.33	0.31	0.28
C	13.3	12.3	11.8	11	10.4	9.7	9	8.2
P	-40	-30	-20	-15	0	0	0	0