

Signature

Guy Bonneville

BLAM
DRIVEN BY PASSION

WS 8.120

Subwoofer

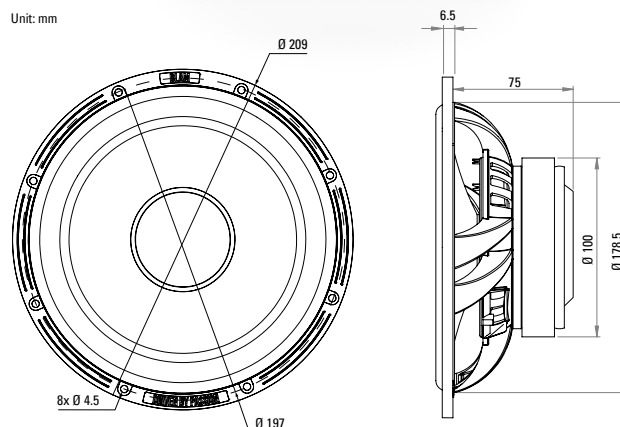
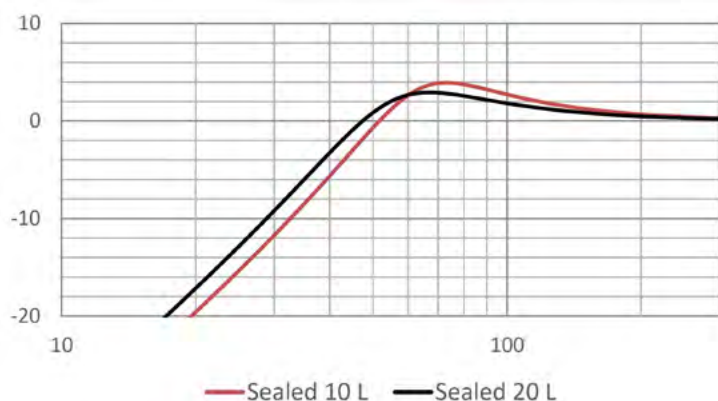
- Subwoofer 8" (200 mm)
- Max power 300 W / Nom. power 150 W
- Frequency response 30 Hz - 500 Hz
- Sensitivity 89 dB
- Impedance 2 Ohms

Die cast aluminium basket - Ultra rigid carbon fiber cone reinforced with fiberglass - Foam surround - Long life « Conex » damper - 38 mm (1.5") voice coil on fiber glass former - 120 mm x 20 mm (4.7" x 0.8") oversized magnetic motor - Gold plated terminal. Optimized for sealed and bass-reflex enclosure from 10 L (0.35 cf) to 20 L (0.71 cf)

TECHNICAL SPECIFICATIONS

Component	Subwoofer	
Max power	300 W	
Nominal power	150 W	
Impedance	2 Ω	
Freq. Response	56 Hz - 500 KHz	
Sensitivity (2,83V/1m)	89,0 dB	
Magnet	Ferrite	
Magnet size Ø x h	120 x 20 mm	4,73" x 0,79"
Total driver displacement	0,3 l	0,011 cf
Weight of one component	2,27 kg	5,004 lb
Voice coil Ø	38 mm	1,496"
Voice coil height	22,0 mm	0,866"
Cone	Carbon fiber	

FREQUENCY RESPONSE / IMPEDANCE



THIELE-SMALL PARAMETERS

effective Ø (d)	145 mm
Sd	186,27 cm ²
Xmax	9 mm
Re	2,46 Ω
Fs	48,69 Hz
Le	439,68 μH @ 1 kHz
L2	1182,18 μH @10 kHz
Vas	9,36 L
Mms	55,63 g
Cms	0,192038 m/N
BL	7,85 Tm
Qts	0,62
Qes	0,68
Qms	7,55
Sensitivity (dB/W/m)	83,9 dB