

# LIVE

Guy Bonneville

# BLAM

DRIVEN BY PASSION

## LFR 50

### High resolution speaker

- Full-range driver 2" (50mm)
- Max. power: 50 W / Nom. power: 25 W
- Frequency response 200 Hz - 40 KHz
- Impedance 4 Ohms

Die cast aluminium basket - Aluminium cone - Rubber surround - Long life "Nomex" damper - 20.4 mm (0.8") voice coil with aluminium former - 40 mm x 5 mm (1.6" x 0.2") neodymium magnet

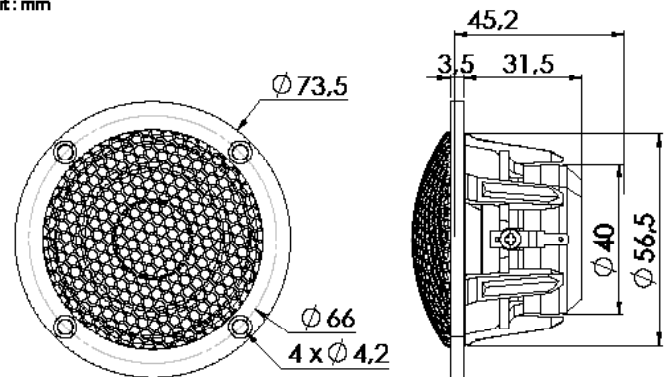
Optimized for closed enclosure volume from 50 mL to 150 mL  
Minimal required cut off frequency : 250 Hz 12 dB/octave

#### TECHNICAL SPECIFICATIONS

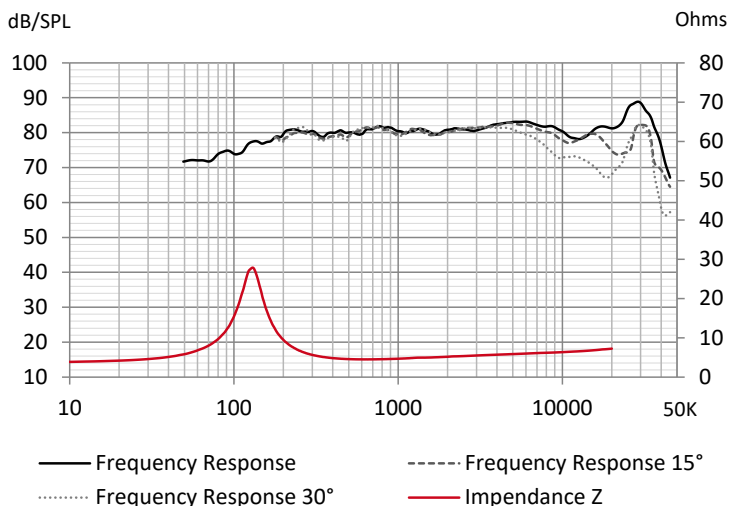
<b>Component</b>	Full-range	
<b>Max power</b>	50 W	
<b>Nominal power</b>	25 W	
<b>Impedance</b>	4 Ω	
<b>Freq. Response</b>	200 Hz - 40 KHz	
<b>Sensitivity (2,83V/1m)</b>	85 dB	
<b>Magnet</b>	Neodymium	
<b>Magnet size Ø x h</b>	40 x 5 mm	1.575" x 0.197 "
<b>Total driver displacement</b>	0.3 l	0.011 cf
<b>Weight of one component</b>	0.166 kg	0.366 lb
<b>Voice coil Ø</b>	20 mm	0.803"
<b>Voice coil height</b>	7.6 mm	0.299"
<b>Cone</b>	Aluminum	



Unit: mm



#### FREQUENCY RESPONSE / IMPEDANCE



#### THIELE-SMALL PARAMETERS

<b>effective Ø (d)</b>	45.5 mm
<b>Sd</b>	16.26 cm <sup>2</sup>
<b>Xmax</b>	2 mm
<b>Re</b>	4 Ω
<b>Fs</b>	128.52 Hz
<b>Le</b>	27.47 µH @1 kHz
<b>L2</b>	303.12 µH @10 kHz
<b>Vas</b>	0.25 L
<b>Mms</b>	2.26 g
<b>Cms</b>	0.000679 m/N
<b>BL</b>	3.71 Tm
<b>Qts</b>	0.45
<b>Qes</b>	0.53
<b>Qms</b>	3.15
<b>Sensitivity (dB/W/m)</b>	82 dB