

RELAX

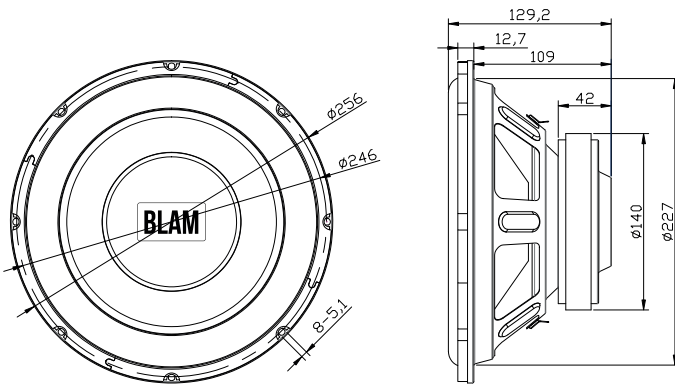


Driven by passion.

R10 DB

Subwoofer

- 250 mm (10") subwoofer
- Max. power 500 W / Nominal Power 250 W



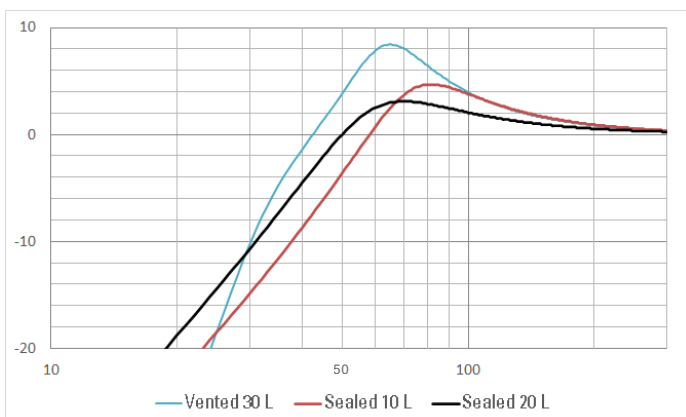
TECHNICAL SPECIFICATIONS

| Component | Subwoofer | |
|---------------------------|----------------|-----------------|
| Max power | 500 W | |
| Nominal power | 250 W | |
| Impedance | 2 x 2 Ω | |
| Freq. Response | 39 Hz - 500 Hz | |
| Sensitivity (2,83V/1m) | 90.6 dB | |
| Magnet | Ferrite | |
| Magnet size ϕ x h | 140 x 20 mm | 5.512" x 0.787" |
| Total driver displacement | 1.1 l | 0.039 cf |
| Weight of one component | 3.13 kg | 6.89 lb |
| Voice coil ϕ | 50 mm | 1.968" |
| Voice coil height | 21.8 mm | 0.858" |
| Cone | Paper | |

THIELE-SMALL PARAMETERS

| | |
|----------------------|-------------------------|
| effective ϕ (d) | 205 mm |
| Sd | 330.06 cm ² |
| Xmax | 13 mm |
| Re | 1.56 Ω |
| Fs | 39.28 Hz |
| Le | 204.98 μ H @ 1 kHz |
| L2 | 500.55 μ H @ 10 kHz |
| Vas | 24.18 L |
| Mms | 103.9 g |
| Cms | 0.000158 m/N |
| BL | 6.29 Tm |
| Qts | 0.89 |
| Qes | 1.01 |
| Qms | 7.41 |

FREQUENCY RESPONSE / IMPEDANCE



SEALED

| Internal volume Vb | Qtc | F-3dB | Boost |
|--------------------|-------|-------|-----------------|
| 10 L | 1.643 | 50 Hz | 4.7 dB at 76 Hz |
| 20 L | 1.321 | 42 Hz | 3.1 dB at 66 Hz |

VENTED

| Internal volume Vb | Internal ϕ port | Length port | F-3dB | Boost |
|--------------------|----------------------|-------------|-------|-----------------|
| 30 L | 10 cm | 30 cm | 39 Hz | 8.5 dB at 63 Hz |

contact@blam-audio.fr
www.facebook.com/blamaudio

www.blam-audio.com